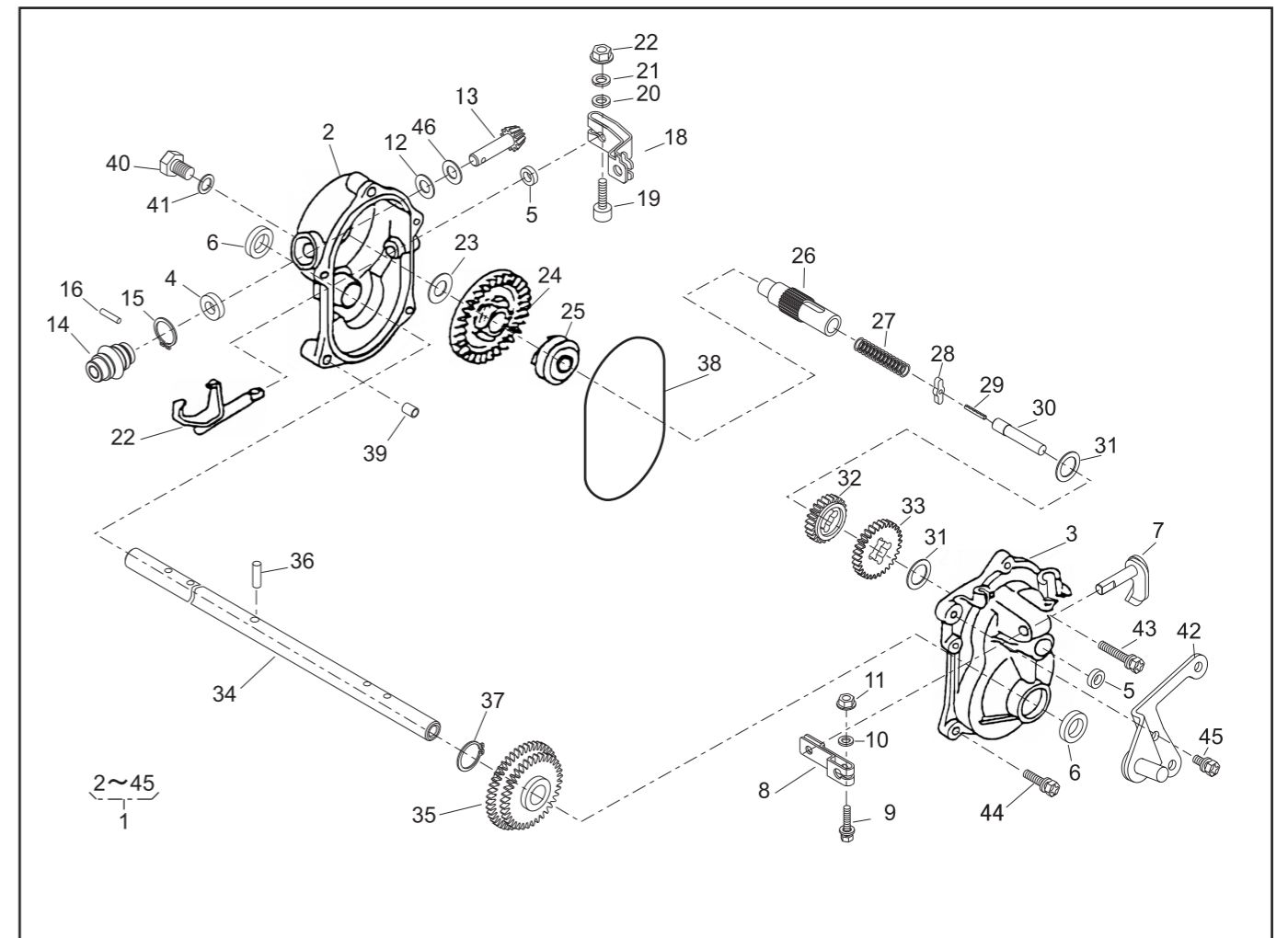


PARTS LIST
MODEL : LM5360HXA-PRO

46014-***

REF. No.	PARTS No.	PARTS NAME	GEAR CASE		PRICE()	1/2	RECOMM.(%) Lot.100	REMARKS
			Q'TY INCLUDING			Mar.31,2004		
1	71008 377	GEAR CASE ASSY	1					
2	51001 195	GEAR CASE	1					
3	51001 196	GEAR CASE	1					
4	61002 161	OIL SEAL	1					
5	61002 162	OIL SEAL	2					
6	61002 163	OIL SEAL	2					
7	64024 104	THIFTER SHAFT	1					
8	11104 119	ARM	1					
9	320L 0525	HEXAGON BOLT(PW)	1					
10	611L 0500	PLAIN WASHER	1					
11	571L 0500	FLANGE NUT	1					
12	61003 109	THRUST PLATE	1					
13	78003 130	PINION	1					
14	91097 101	UNIVERSAL JOINT	1					
15	812V 2000	C-SNAP RING FOR SHAFT		1				
16	717B 0418	PARALLEL PIN		1				
17	11097 106	SHIFTER FORK	1					
18	11104 137	ARM	1					
19	419U 0630	SOCKET SCREW	1					
20	611L 0600	PLAIN WASHER	1					
21	661L 0600	SPRING LOCK WASHER	1					
22	512L 0600	HEXAGON NUT	1					
23	61024 117	SPACER	1					
24	78001 162	BEVEL GEAR	1					
25	11129 107	CLUTCH	1					
26	64014 236	SHAFT	1					
27	68013 262	SPRING	1					



PARTS LIST
MODEL : LM5360HXA-PRO

46014-***

REF. No.	PARTS No.	PARTS NAME	GEAR CASE		PRICE()	2/2	RECOMM.(%) Lot.100	REMARKS
			Q'TY INCLUDING			Mar.31,2004		
28	31034 171	PIN	1					
29	736U 0320	SPRING PIN	1					
30	64014 235	SHAFT	1					
31	61024 118	SPACER	2					
32	78004 156	GEAR	1					
33	78004 155	GEAR	1					
34	64014 344	SHAFT	1					
35	78012 107	GEAR C.P.	1					
36	31034 150	PIN	1					
37	812V 2200	C-SNAP RING FOR SHAFT	1					
38	214B 11000	O-RING	1					
39	11083 201	COLLAR	2					
40	31057 126	HEXAGON BOLT	1					
41	68001 110	FIBER WASHER	1					
42	11006 157	STAY C.P.	1					
43	315L 0625	(+)HEXAGON BOLT(SW,PW)	3					
44	315L 0635	(+)HEXAGON BOLT(SW,PW)	2					
45	318L 0612	(+)HEXAGON BOLT(SW)	1					
46	68007 132	SHIM	0~2					