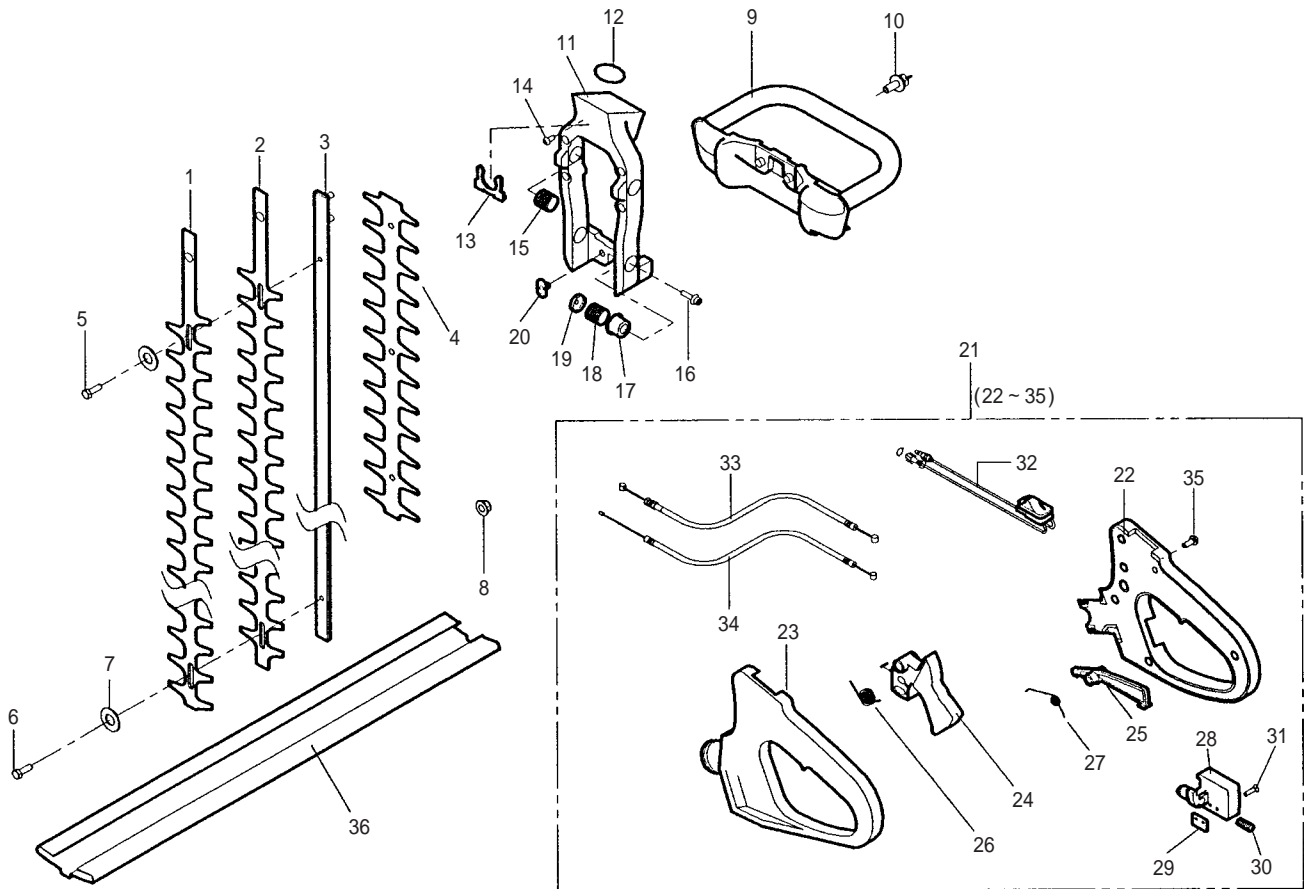


TM3200

CUTTER , HANDLE



PARTS LIST

| REF. No. | PARTS No. | | PARTS NAME | QTY | | REMARKS |
|----------|-----------|------|-------------------------|-----|---------|---------|
| | | | | | NCLUDNG | |
| 1 | 91053 | 123 | CUTTER(A) | 1 | | |
| 2 | 91054 | 116 | CUTTER(B) | 1 | | |
| 3 | 11051 | 129 | CUTTER GUIDE | 1 | | |
| 4 | 51090 | 122 | PROTECTOR | 1 | | |
| 5 | 31029 | 105 | STEP BOLT (S) | 1 | | |
| 6 | 31029 | 110 | STEP BOLT (S) | 4 | | |
| 7 | 68002 | 101 | CUTTER WASHER | 5 | | |
| 8 | 584L | 0600 | U-HEXAGON NUT FLANGE | 5 | | M6 |
| 9 | 51027 | 238 | HANDLE | 1 | | |
| 10 | 31057 | 235 | BOLT | 2 | | M5 x 20 |
| 11 | 51022 | 171 | BRACKET | 1 | | |
| 12 | 214B | 5000 | O-RING | 1 | | S50 |
| 13 | 11086 | 179 | STOPPER | 1 | | |
| 14 | 477L | 0408 | (+) TRUSS TAPPING SCREW | 2 | | |
| 15 | 68013 | 326 | SPRING | 2 | | |
| 16 | 423U | 0515 | SOCKET SCREW FLANGE | 4 | | |
| 17 | 11102 | 210 | HOLDER | 4 | | |
| 18 | 68013 | 327 | SPRING | 2 | | |
| 19 | 11102 | 209 | HOLDER | 4 | | |
| 20 | 31038 | 102 | FIXING NUT | 2 | | |
| 21 | 71014 | 368 | HANDLE ASS'Y | 1 | | |
| 22 | 51106 | 127 | HANDLE R | 1 | | |
| 23 | 51106 | 128 | HANDLE R | 1 | | |
| 24 | 91010 | 190 | THROTTLE LEVER | 1 | | |
| 25 | 36081 | 113 | LOCK LEVER | 1 | | |

