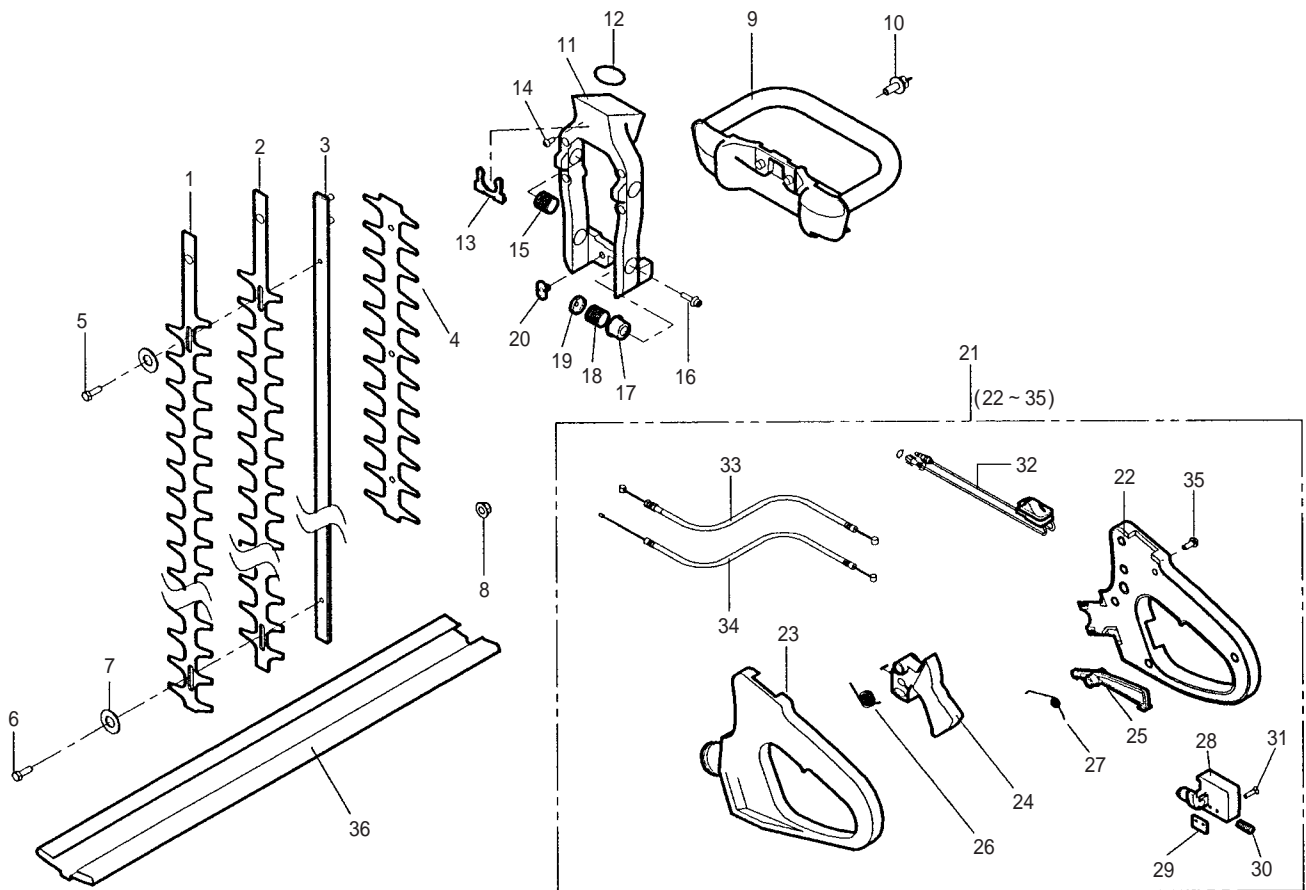


TM2600

CUTTER , HANDLE



PARTS LIST

REF. No.	PARTS No.		PARTS NAME	QTY			REMARKS
					NCLDNG		
1	91053	124	CUTTER(A)	1			
2	91054	115	CUTTER(B)	1			
3	11051	129	CUTTER GUIDE	1			
4	51090	122	PROTECTOR	1			
5	31029	105	STEP BOLT (S)	1			
6	31029	110	STEP BOLT (S)	3			
7	68002	101	CUTTER WASHER	4			
8	584L	0600	U-HEXAGON NUT FLANGE	4			M6
9	51027	238	HANDLE	1			
10	31057	235	BOLT	2			M5 x 20
11	51022	171	BRACKET	1			
12	214B	5000	O-RING	1			S50
13	11086	179	STOPPER	1			
14	477L	0408	(+) TRUSS TAPPING SCREW	2			
15	68013	326	SPRING	2			
16	423U	0515	SOCKET SCREW FLANGE	4			
17	11102	210	HOLDER	4			
18	68013	327	SPRING	2			
19	11102	209	HOLDER	4			
20	31038	102	FIXING NUT	2			
21	71014	368	HANDLE ASS'Y	1			
22	51106	127	HANDLE R		1		
23	51106	128	HANDLE R		1		
24	91010	190	THROTTLE LEVER		1		
25	36081	113	LOCK LEVER		1		

