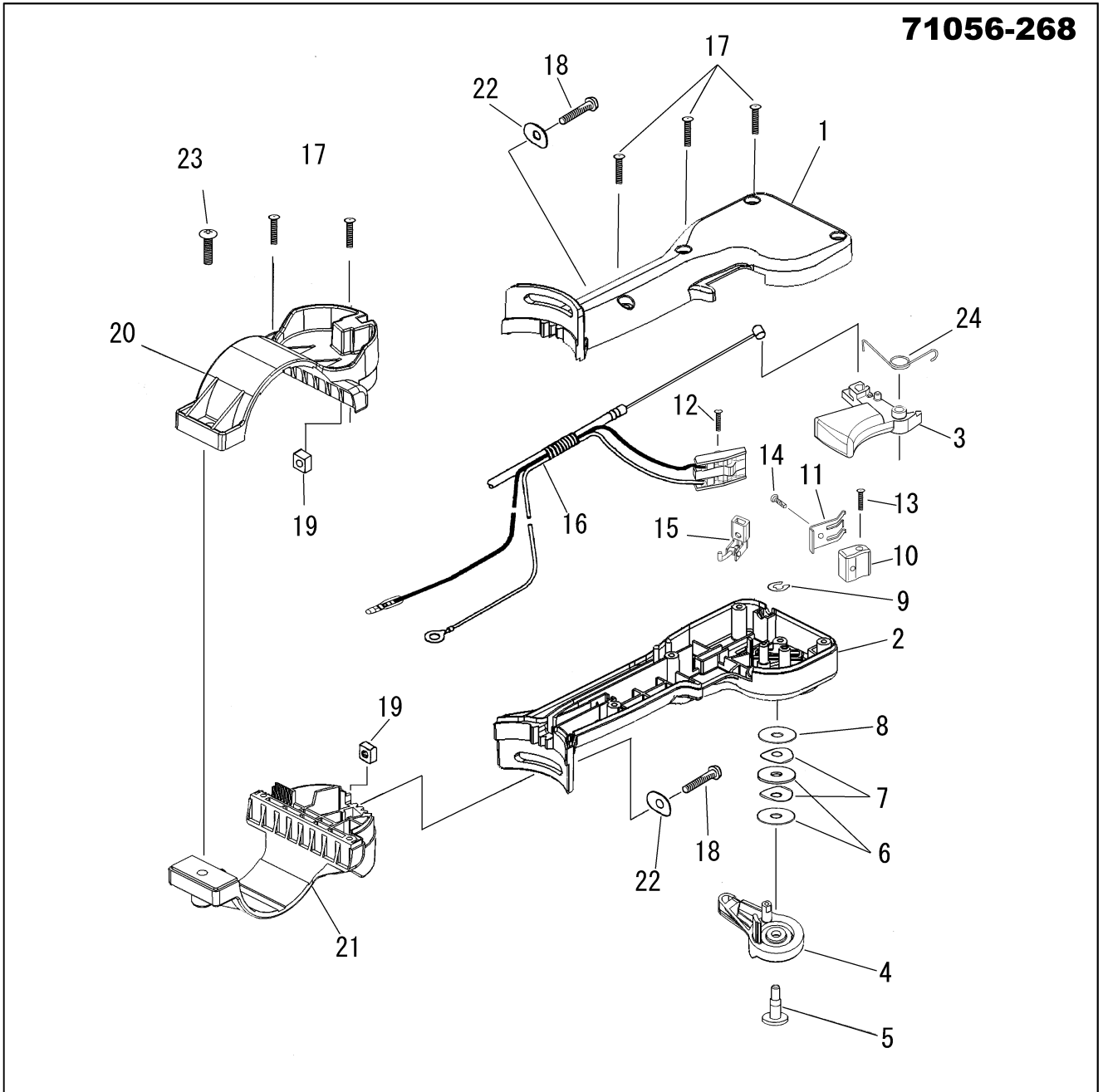


THROTTLE LEVER ASS'Y

71056-268



REF. No.	PARTS No.		PARTS NAME	Q'TY		JUN. 07 .2005		REMARKS
					INCLUDING	PRICE (¥)	RECOMM.(%)	
1	51126	172	LEVER HOLDER	1			3	
2	51126	173	LEVER HOLDER	1			3	
3	11095	174	LEVER	1			1	
4	36081	116	LOCK LEVER	1			3	
5	64014	310	SHAFT	1			1	
6	68036	285	PLAIN WASHER	2			1	
7	68039	103	ADJUST SPRING	2			1	
8	68036	286	PLAIN WASHER	1			1	
9	828U	0500	U-SNAP RING	1			1	
10	11054	124	SWITCH STAY	1			1	
11	51127	104	LEAF SPRING	1			1	
12	464L	0312	(+)TAPPING SCREW	1			1	
13	464L	0314	(+)TAPPING SCREW	1			1	
14	464L	0308	(-)TAPPING SCREW	1			1	
15	71074	108	STOPPER ASS'Y	1			1	
16	71060	119	THROTTLE WIRE ASS'Y	1			1	
17	464L	0420	(+) TAPPING SCREW	6			1	
18	371N	0620	(+) SCREW	2			1	
19	532L	0600	SQUARE NUT	2			1	
20	36071	141	BAND	1			3	
21	36071	140	BAND	1			3	
22	68036	249	PLAIN WASHER	1			1	
23	477L	0525	(+)TAPPING SCREW	1			1	
24	68013	384	SPRING	1			1	